

(Etiquette signalétique)

K70P095Z



**Kit interface de puissance pour piloter jusqu'à
4 ventilo-convecteurs de type TWN**

**Power interface kit for controlling up to
4 TWN type fan coil units**

**Kit interfaccia di potenza per comandare fino a
4 ventilconvettori di tipo TWN.**

**Kit interfaz de potencia para controlar hasta
4 ventilo-convectores del tipo TWN**

**Leistungsschnittstelle für die Steuerung von bis zu
4 TWN-Gebläsekonvektoren.**



IMPORTANT

Installation, commissioning and maintenance of this kit must be performed by personnel qualified and authorised to operate on this type of equipment, in accordance with current standards and recognized trade practices.
Prior to undertaking any work on the installation, make sure it is switched off and all power supplies locked out.



CAUTION

Before each start-up operation, make sure that it is properly configured for the application.



IMPORTANT

This appliance is not designed to be used by people (including children) whose physical, sensory or mental capacities are impaired, or who lack experience or knowledge, unless they are supervised or have received instructions on how to use the appliance by a person who is responsible for their safety. Children must be supervised to ensure that they do not play with the appliance or its accessories.

OPERATION:

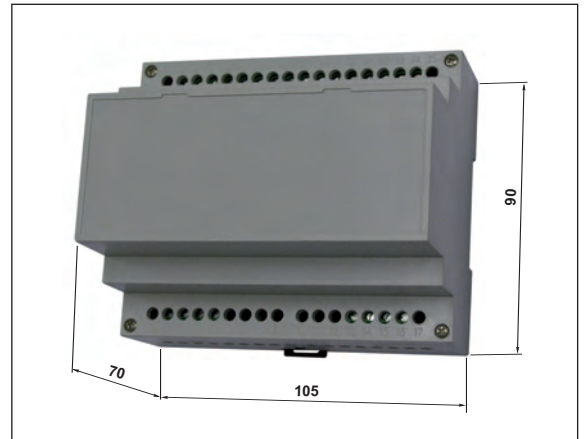
The **K70P095Z** power interface is designed to connect up to 4 **TWN** type water terminal units with a single **K70P090Z** or **K70P091Z** control unit in order to control the various fan speeds with a single controller.

Note:

10 power interfaces can be connected in parallel on 1 single remote control, i.e. up to 40 **TWN** units on 1 controller.
This unit is designed for DIN rail installation, and must thus be placed in an electrical box.

TECHNICAL SPECIFICATIONS:

- Power supply : Single phase 230V (+/- 10 %).
- Output contacts : 4 x 3 A - 250V.
- Operating temperature : 0°C to + 40°C.
- Relative humidity limits : 20% to 80% HR non-condensing.
- Protection rating : IP 30.
- Housing material : Technopolymer, class VO.
- Dimensions : 105 x 90 x 70 mm.
- Weight : 265 grams.



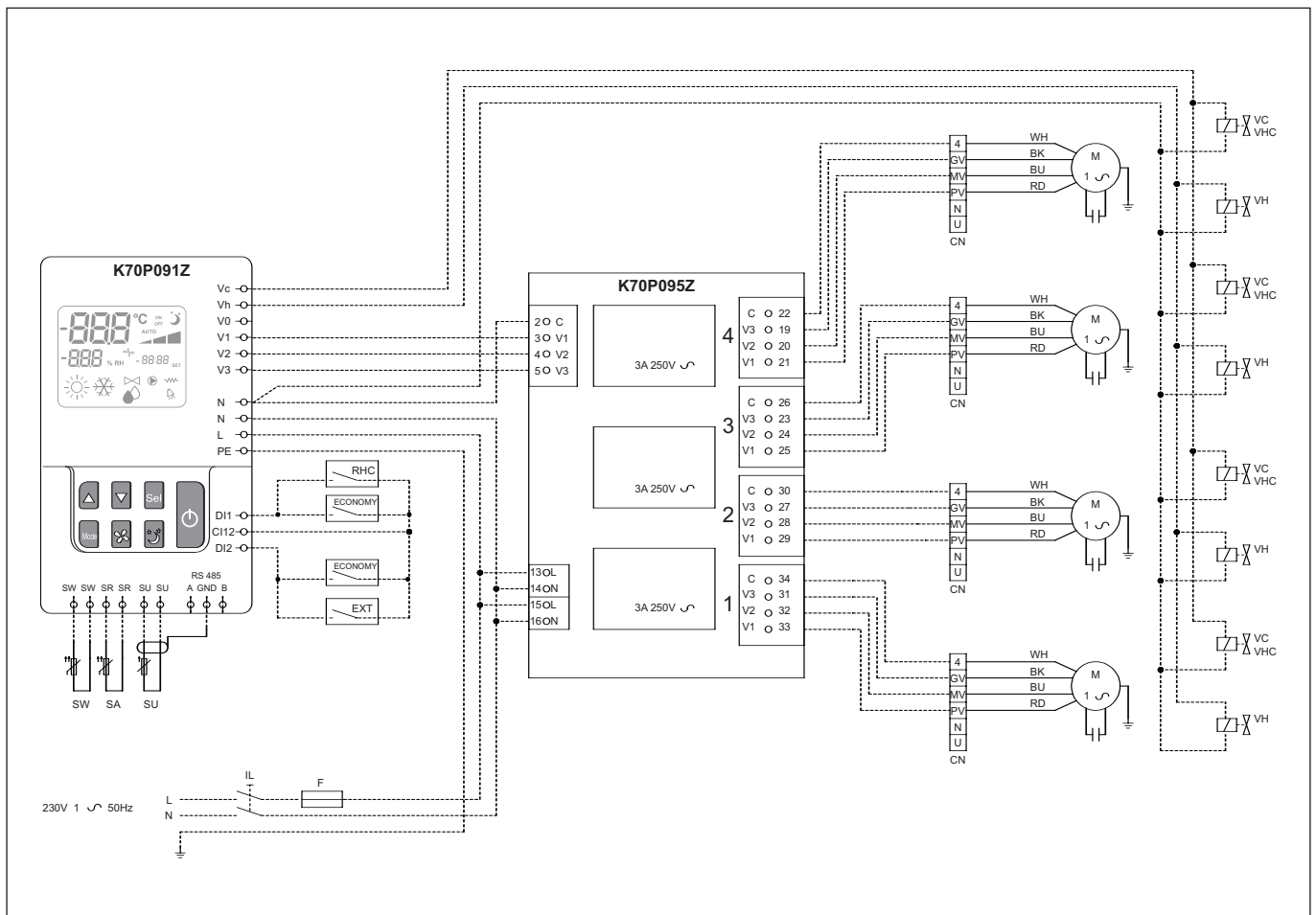
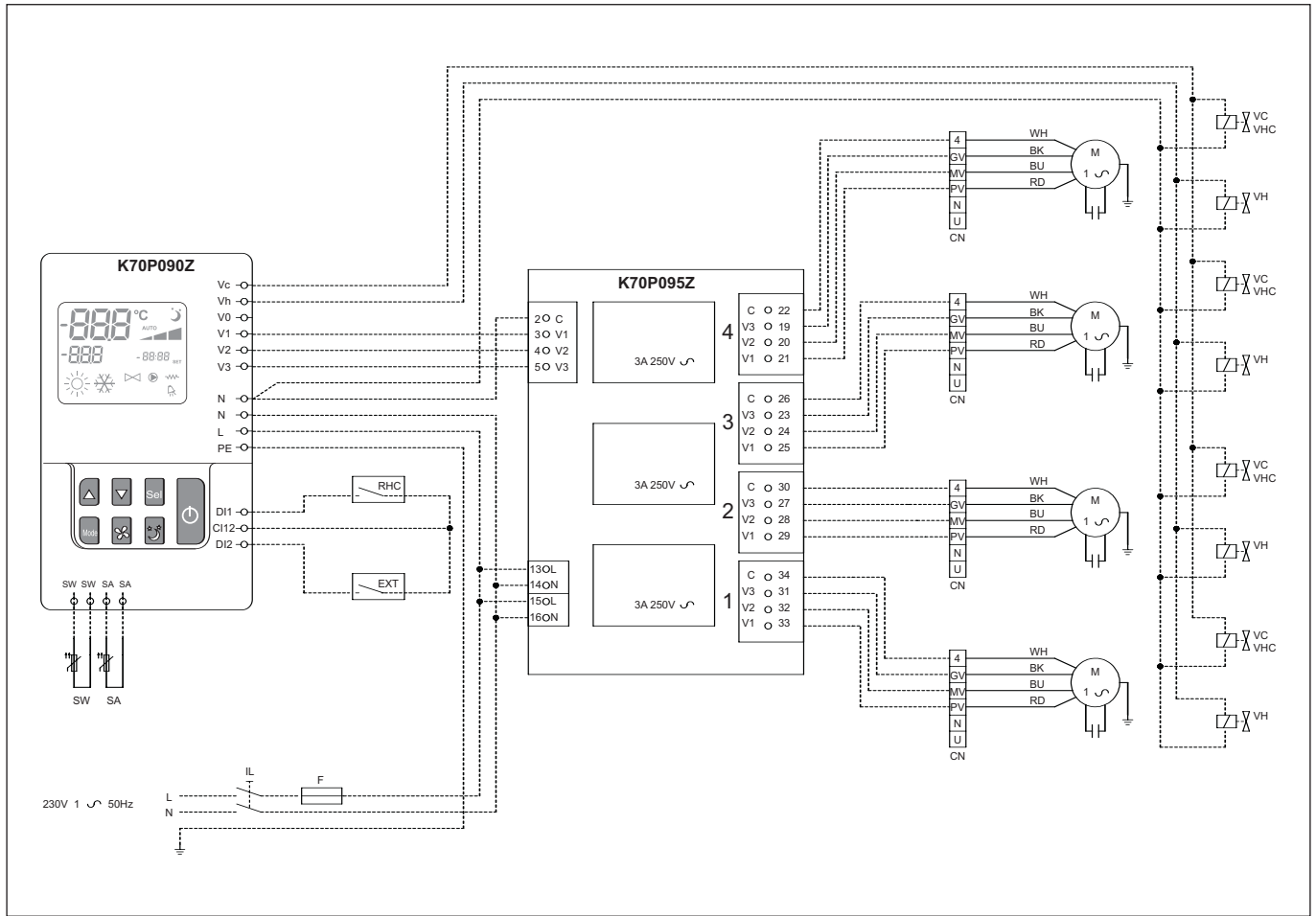
INSTALLATION:

- Secure the power interface to a DIN rail in an electrical box of sufficient size.
- With **the power disconnected**, make the electrical connections as shown in the diagrams in this manual. The following main components are represented:
 - The controller.
 - The power interface.
 - The 4 fan motors to be controlled (maximum configuration with 1 single interface).
The 8 valves (max.) for a 4-tube application per **TWN** unit.
- The connections shown as dashed lines ----- must be performed by the installer.

The following abbreviations are used in the electrical diagrams:

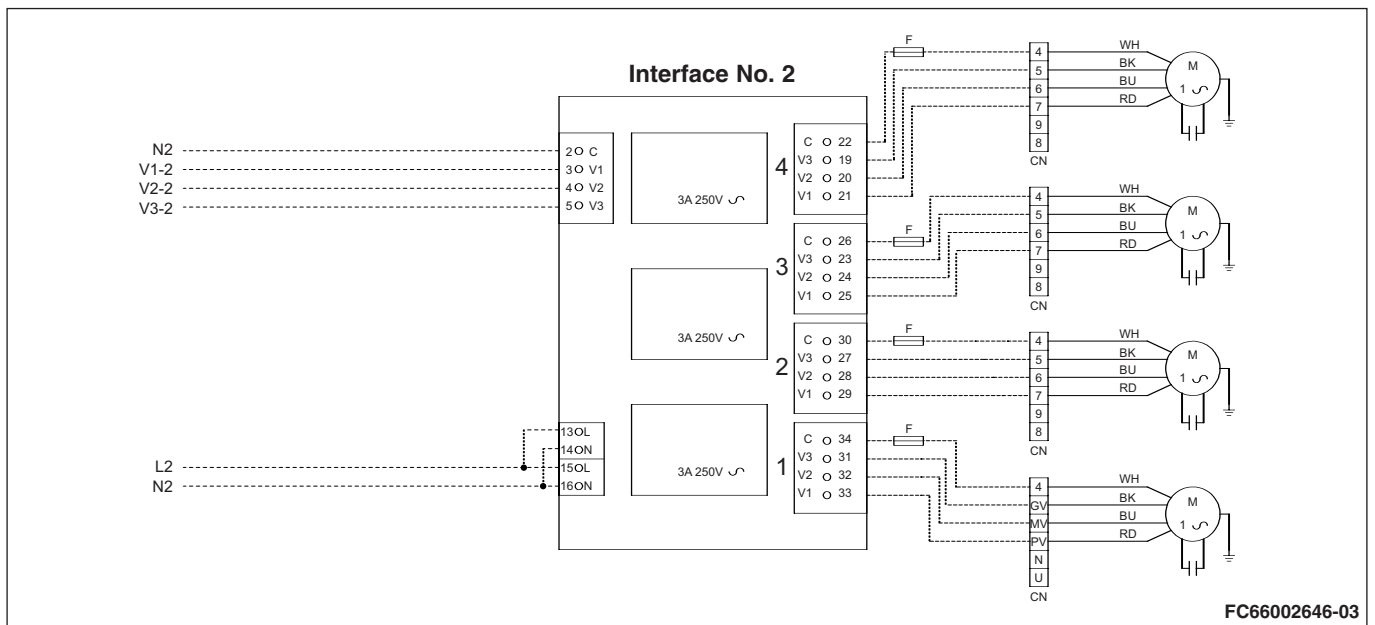
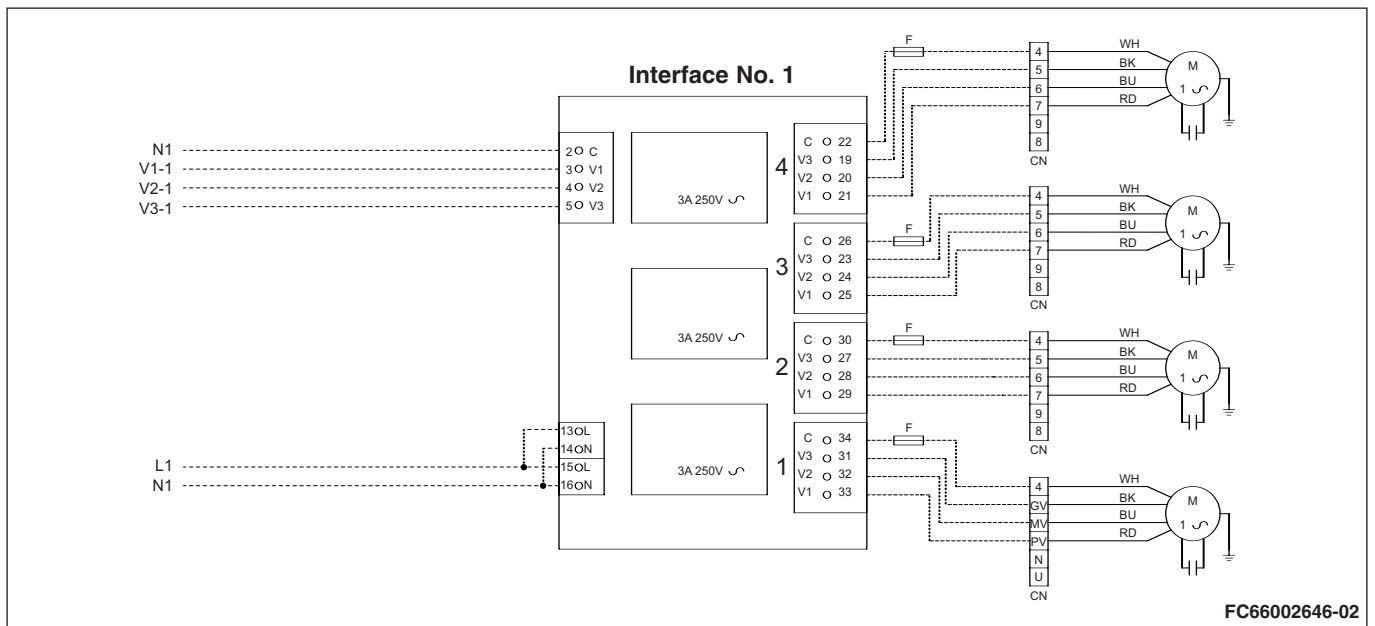
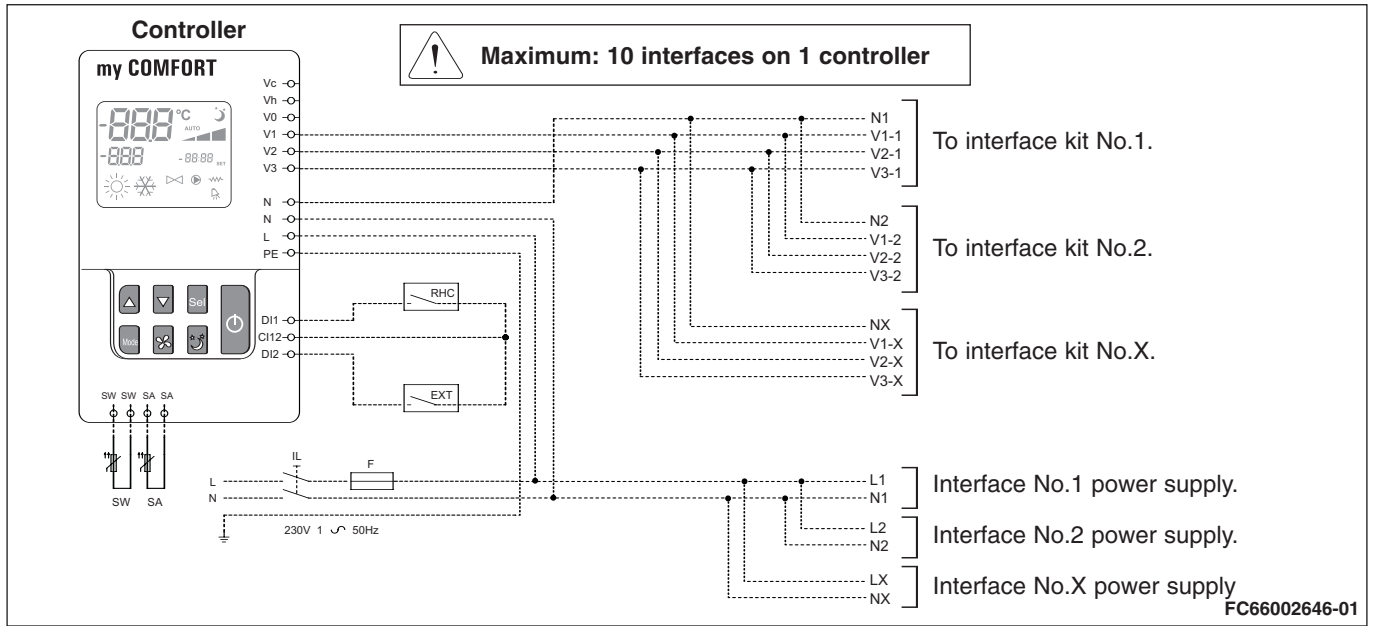
.....	Electrical connections to be performed by the installer	N	Neutral
A/B/GND	RS 485	PE	Ground
BU	Blue (Medium Speed)	RHC	Remote Cooling / Heating selector
BK	Black (Maximum Speed)	RD	Red (Minimum Speed)
C	Speed switch	SA	Remote air sensor (accessory)
CI12	Common, digital inputs	SU	Remove humidity sensor (accessory)
CN	Quick connector	SW	Water sensor (accessory)
DI1	Digital input 1	V1	Minimum Speed
DI2	Digital input 2	V2	Medium Speed
ECONOMY COMFORT / ECONOMY	remote selector	V3	Maximum Speed
EXT	Remote ON / OFF contact	VC	Heating or Cooling Valve (2 tubes,) or Cooling Valve (4 tubes)
F	Fuse (not included)	VH	Heating Valve (4 tubes) or resistor (2 Cooling tubes)
IL	Line switch (not included)	VHC	Cooling / Heating solenoid valve
L	Phase	WH	White (common)
M	Fan motor		

Electrical connection with 1 interface on 1 command



Electrical connections with "X" interfaces on 1 command

GB



F

GB

I

E

D

F

GB

I

E

D

F

GB

I

E

D



Par souci d'amélioration constante, nos produits peuvent être modifiés sans préavis.
Due to our policy of continuous development, our products are liable to modification without notice.
Per garantire un costante miglioramento dei nostri prodotti, ci riserviamo di modificarli senza preavviso.
En el interés de mejoras constantes, nuestros productos pueden modificarse sin aviso previo.
Unsere Produkte werden laufend verbessert und können ohne Vorankündigung abgeändert werden.

Technibel

R.D. 28 Reyrieux BP 131 01601 Trévoux CEDEX France

Tél. 04 74 00 92 92 - Fax 04 74 00 42 00

Tel. 33 4 74 00 92 92 - Fax 33 4 74 00 42 00

R.C.S. Bourg-en-Bresse B 759 200 728