

VALVE KITS TWN

GB

1 - DESCRIPTION

- The valves are of 3-way type with bypass, on/off.
The thermal actuators have an opening time of 4 minutes and operate at 230V/1ph/50Hz.

2 - VALVE KIT COMPONENTS

- Three-way valve with built-in by-pass.
- Electrothermal actuator.
- Hydraulic kit for connecting the valve on the heat exchanger.
- Cable lead-through for passing actuator cables into the fan coil unit.

3 - KIT TYPES

- Main coil :**
 - Size 02 - 03 left or right-hand outlet = **K 70 L 047 Z**
 - Size 04 - 05 left or right-hand outlet = **K 70 L 048 Z**
 - Size 06 to 11 left or right-hand outlet = **K 70 L 049 Z**
- Additional coil :**
 - Size 02 to 05 left or right-hand outlet = **K 70 L 050 Z**
 - Size 06 to 11 left or right-hand outlet = **K 70 L 051 Z**

Values of Kvs coefficients	Connection diameter	Kvs valve open	Kvs valve closed (water routed through bypass)
Valve for main exchanger Sizes 02-03	1/2 "	1.7	1.2
Valve for main exchanger Sizes 04-05	1/2 "	2.8	1.8
Valve for main exchanger Sizes 06 to 11	3/4 "	2.8	1.8
Valve for additional exchanger All sizes	1/2 "	1.7	1.2

4 - INSTALLATION

- The 3-way valve kit must be installed before power is applied to the fan coil unit.
- Remove the cabinet.
- The valve kit (or 2 kits for the 4-tube systems) is always installed on the side opposite the electrical part of the apparatus.
- For 4-tube systems, the additional battery must be installed with the hydraulic connectors on the same side as those of the main battery. In this case, first install the main battery valve kit, then that of the additional battery.
- Install the hydraulic connectors as indicated in figures 1 and 2:
 - Figure 1:** main battery valve kit **K70 L 047 Z, K70 L 48 Z, K70 L 049 Z.**
A = battery outlet,
B = water inlet,
C = water outlet,
D = battery inlet.
 - Figure 2:** additional battery valve kit **K70 L 050 Z, K70 L 051 Z.**
A = battery outlet,
B = water inlet,
C = water outlet,
D = battery inlet.

5 - ELECTRICAL CONNECTION

- 2-pipe system: see figure 4.
- 4-pipe system: see figure 5.
- Screw the motor onto the valve.
- Insert the cable lead through in the hole provided on the side of the fan coil unit panel (figure 3).
- Pass the actuator cable through this hole and into the electrical part of the TWN (side opposite the hydraulic connection).
- Electrical conduit must be secured.
- Electrical wiring must be isolated and protected from all sheetmetal edges or metal parts which may lead to damage.
- The power supply must be equipped with a protective and shut-off device (not included) in compliance with the regulations in force (and NFC 15.100 ≈ CEI 364, in particular).
- To connect a remote control device, refer to the unit's installation guide. For a built-in control device, refer to the accessory's installation guide.

F

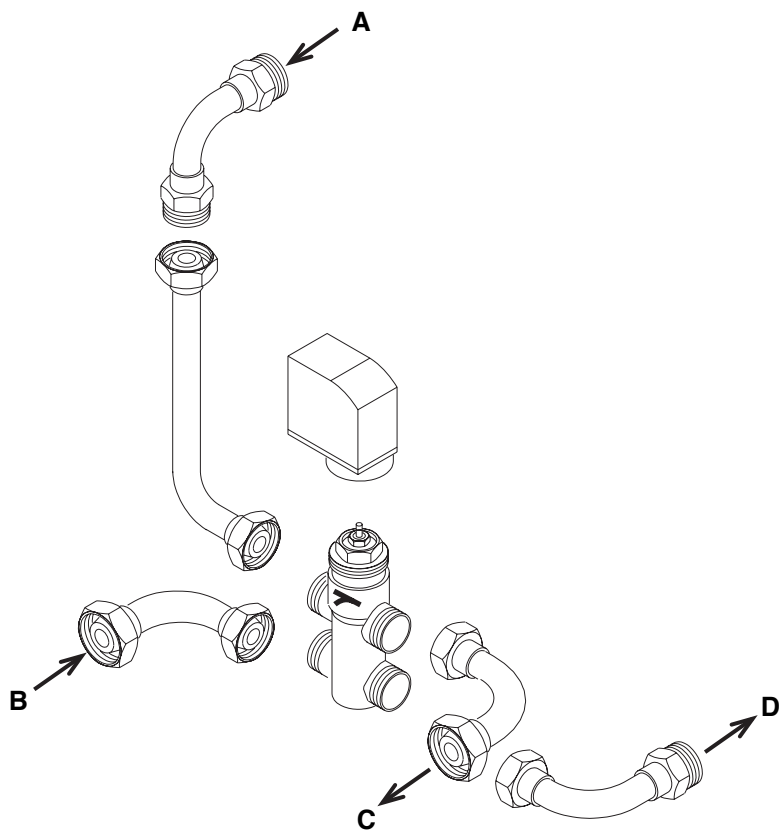
GB

I

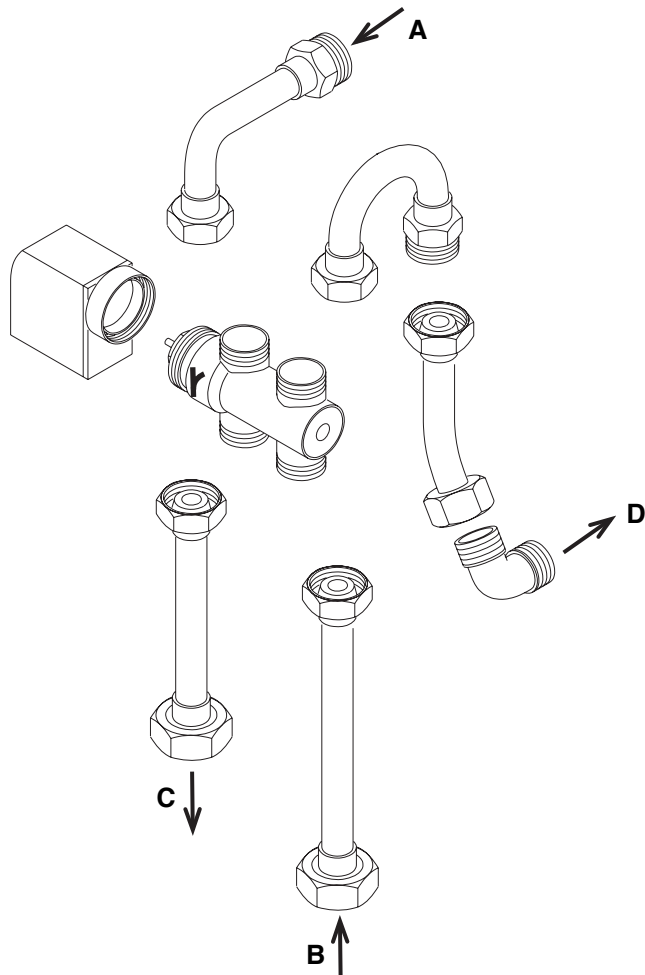
E

D

1



2

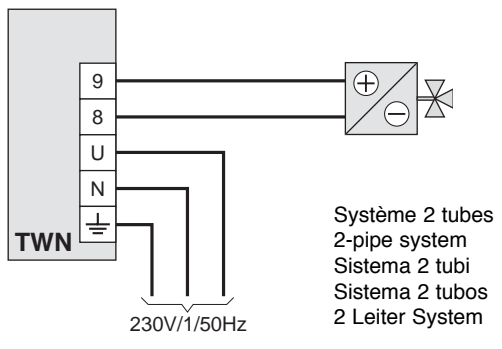


3

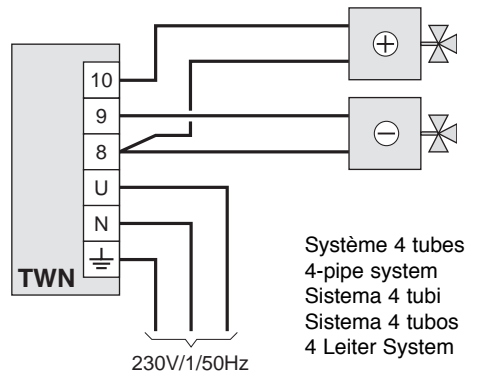


Raccordement électrique
Electrical connection
Collegamento elettrico
Conexión eléctrica
Elektrische Anschlüsse

4



5



Par souci d'amélioration constante, nos produits peuvent être modifiés sans préavis.
Due to our policy of continuous development, our products are liable to modification without notice.
Per garantire un costante miglioramento dei nostri prodotti, ci riserviamo di modificarli senza preavviso.
En el interés de mejoras constantes, nuestros productos pueden modificarse sin aviso previo.
Unsere Produkte werden laufend verbessert und können ohne Vorankündigung abgeändert werden.
