

1. Safety Precautions

- The following is intended for the person responsible for installing or servicing the Solenoid Valve Output Board. Before conducting installation or electrical work, be sure to carefully read these "Safety Precautions". Follow instructions exactly in all installation or electrical work.
- The precautions given in this manual consist of specific "Warnings" and "Cautions". They provide important safety related information and are important for your safety, the safety of others, and trouble-free operation of the system. Be sure to strictly observe all safety procedures. The labels and their meanings are as described below.

Warning This symbol refers to a hazard or unsafe procedure or practice which can result in severe personal injury or death.

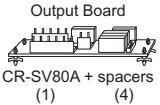
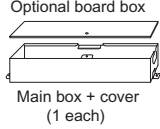
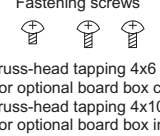
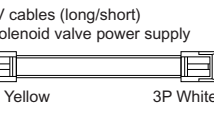
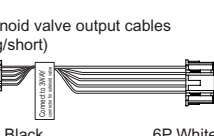
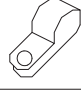

Caution This symbol refers to a hazard or unsafe procedure or practice which can result in personal injury or product or property damage.

Warning

- Be sure to arrange installation at the dealer where the system was purchased or use a professional installer. Leaks, electric shock or fire may result if an inexperienced person performs any installation or wiring procedures incorrectly.
- Only a qualified electrician should attempt to install this system, in accordance with the provisions of the Technical standards for Electrical Installations, local regulations for indoor wirings and these "Installation (Electric) and Service Instructions". Be sure to use a dedicated electrical circuit.
- Insufficient electrical circuit capacity may cause electric shock or fire.
- Use the specified cables (type and wiring diameter) for the electrical connections, and securely connect the cables. Run and fasten the cables securely so that external forces or pressure placed on the cables will not be transmitted to the connection terminals. Overheating or fire may result if connections or attachments are not secure.
- Install in a location that is fully strong enough to support the weight of the unit. If it is not strong enough, the unit may fall, resulting in injury.
- Ventilate the work area if cooling gas leaks during installation. Poisonous gas can result if cooling gas comes into contact with fire.
- After installation, check to be sure that there are no gas leaks. Poisonous gas can result if cooling gas leaks into the room and comes into contact with a fan heater, stove, range, or other source of fire.

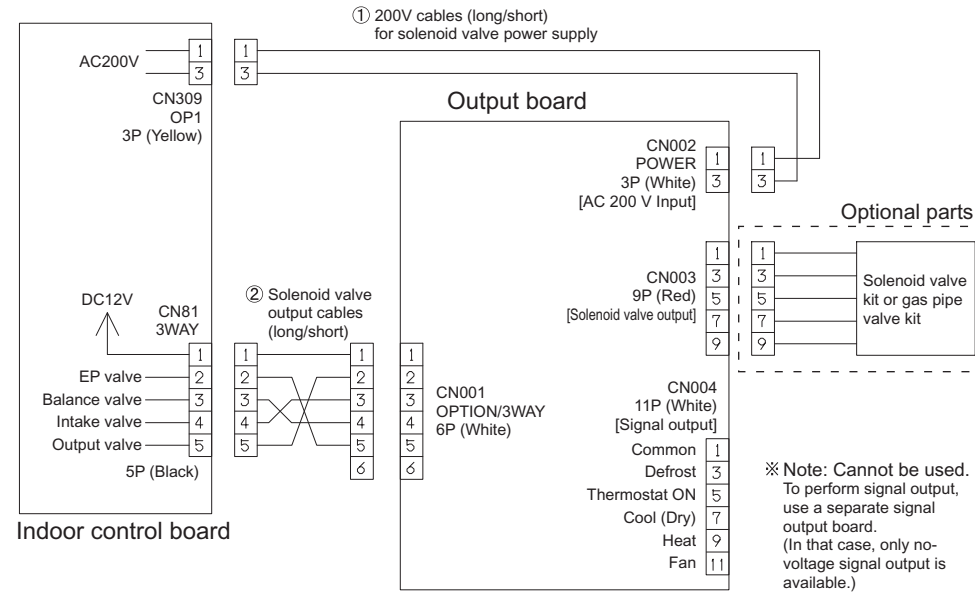
- Caution**
- Do not install in a location subject to leakage of flammable gasses. Fire can result if gas builds up around the unit.

2. Supplied Parts

Part name	Target model
 <p>Output Board CR-SV80A + spacers (1) (4)</p>	All models
 <p>Optional board box Main box + cover (1 each)</p>	For bi-directional ceiling cassette type, ceiling hung type, and other models where there is not enough space in the electrical box to install the output board.
 <p>Fastening screws Truss-head tapping 4x6 1 (for optional board box cover) Truss-head tapping 4x10 2 (for optional board box installation)</p>	
 <p>① 200V cables (long/short) for solenoid valve power supply 3P Yellow 3P White</p>	The cables to use differ according to the indoor unit used.
 <p>② Solenoid valve output cables (long/short) 5P Black 6P White</p>	※ The long cables are for models in which there is not enough space in the electrical box to install the optional board.
 <p>Nylon clammer (F14)</p>	For large-capacity ceiling hung type units using the CD-TRP50A indoor control board
 <p>Nylon clammer (F7)</p>	For binding wiring

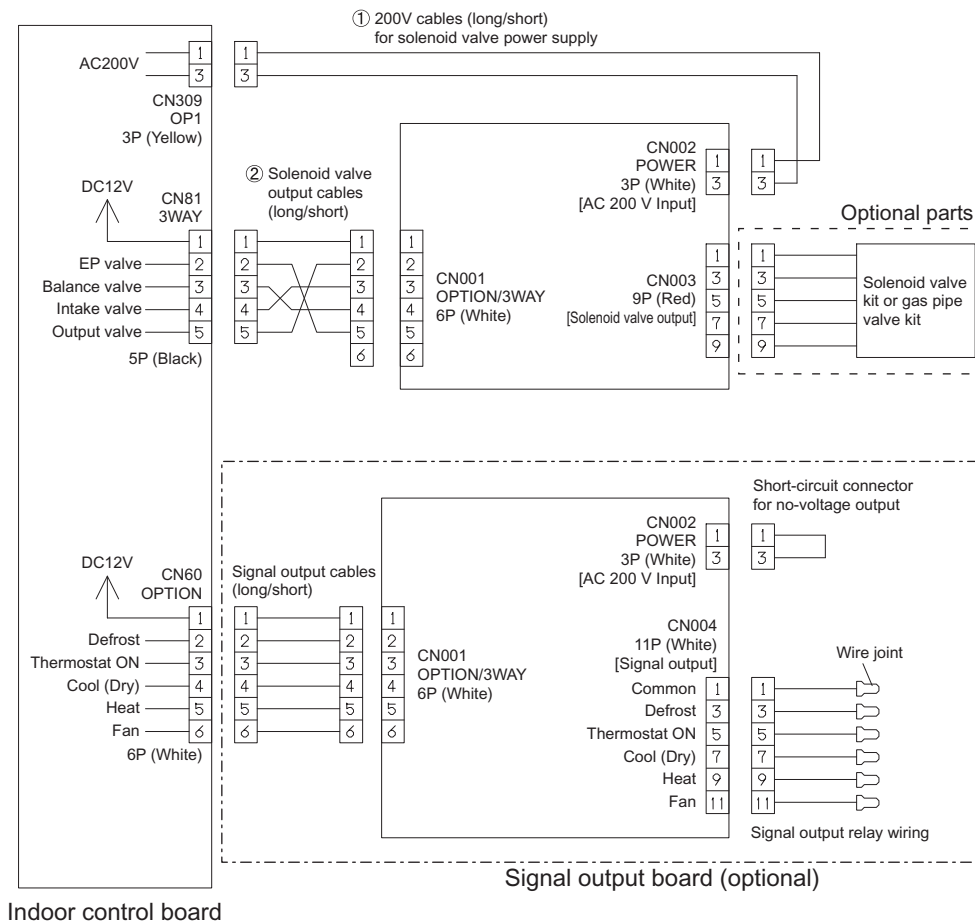
3. Wiring Diagram

- Connect to the indoor control board with ① 200V cable (long/short) for solenoid valve power supply and ② solenoid valve output cable (long/short).
- The connected solenoid valve is a solenoid valve kit, or a gas pipe valve kit.
- ※ Note: The signal output connector (CN004) cannot be used. (Use a separate signal output board, and make the connections as described below.)



When using with signal output board

- Connect to the indoor control board with ① 200V cable for solenoid valve power supply and ② solenoid valve output cable.
- On the signal output board (optional), connect the "signal output wiring", "short-circuit connector for no-voltage output", and the "output signal relay wiring". (Do not connect 200V voltage wiring for output to the signal board.)
- ※ Note: The specifications of the signal output board are the same as those of solenoid valve output board. Be careful to avoid wiring mistakes.

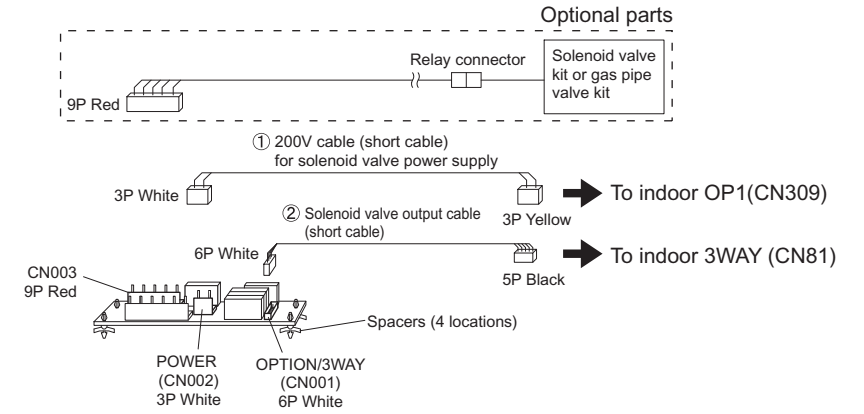


4. Installation Procedures

※ Note: See the reverse side for procedures for installation on various indoor units.

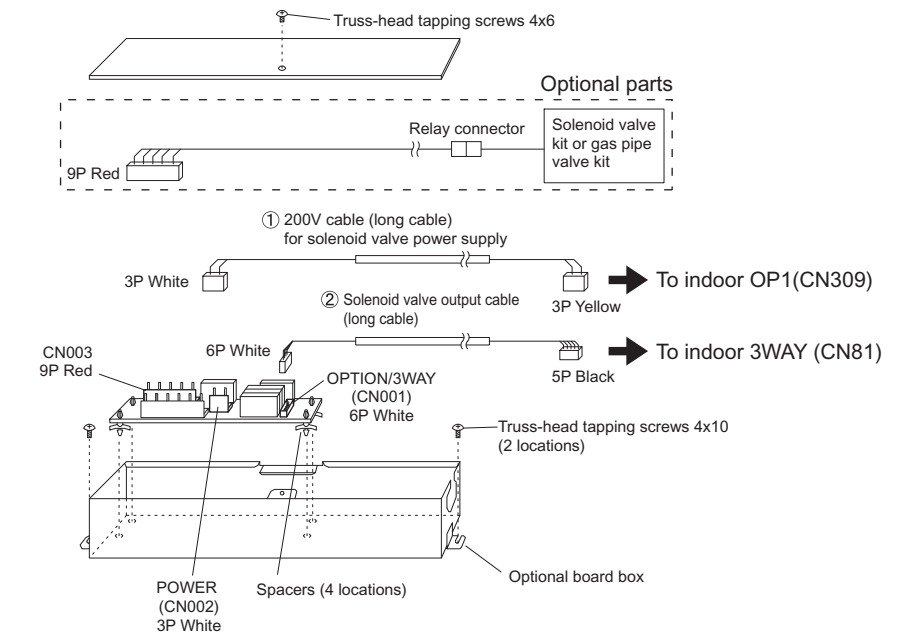
Models where installation is possible in indoor unit electrical box

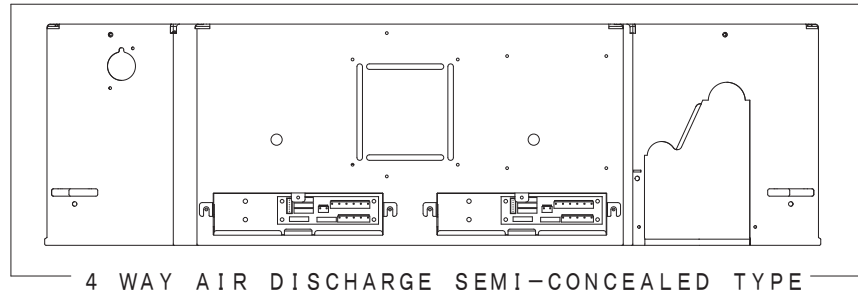
- Install the spacers for the solenoid valve output board in the electrical box.
- Wire according to the following procedure.
 - Connect the 3P white connector of ① 200V cable for solenoid valve power supply (the short cable) to POWER (CN002) on the solenoid valve output board.
 - Connect the 3P yellow connector to OP1 (CN309) on the indoor control board.
 - Connect the 6P white connector of ② solenoid valve output cable (the short cable) to OPTION/3WAY (CN001) on the solenoid valve output board.
 - Connect the 5P black connector to 3WAY (CN81) on the indoor control board.
 - Connect the connector from the solenoid valve kit or gas pipe kit (9P red) to the 9P red connector (CN003) on the solenoid valve output board.
- When you have finished wiring work, check to be sure that there are no nipped portions in the wiring.



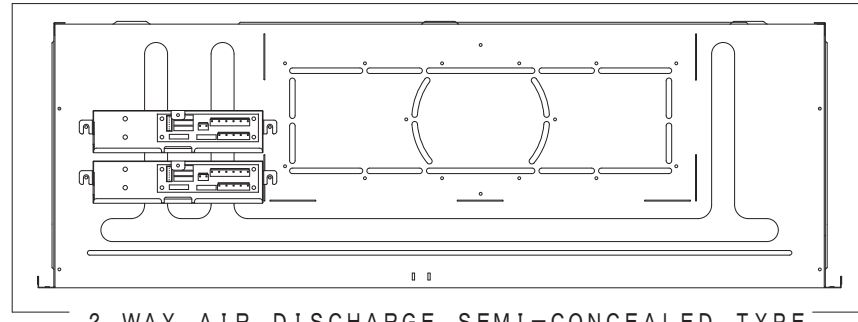
Models without space inside electrical box

- Install the solenoid valve output board in the optional board box with the following procedure.
 - Install the board spacers in the holes in the base of the optional board box. Note: When you do so, be careful of the direction of the solenoid valve output board (see following figure).
 - Attach the optional board box to the unit with the supplied screws (4x10).
- Wire according to the following procedure.
 - Connect the 3P white connector of ① 200V cable for solenoid valve power supply (the long cable) to POWER (CN002) on the solenoid valve output board.
 - Connect the 3P yellow connector to OP1 (CN309) on the indoor control board.
 - Connect the 6P white connector of ② solenoid valve output cable (the long cable) to OPTION/3WAY (CN001) on the solenoid valve output board.
 - Connect the 5P black connector to 3WAY (CN81) on the indoor control board.
 - Connect the connector from the solenoid valve kit or gas pipe kit (9P red) to the 9P red connector (CN003) on the solenoid valve output board.
 - For large-capacity ceiling hung type models, use the supplied F14 nylon clammer (fix to the seat at the back).
- When you have finished wiring work, secure the cover of the option board box with the supplied screw (4x6). Note: When you do so, check to be sure that there are no nipped portions in the wiring.

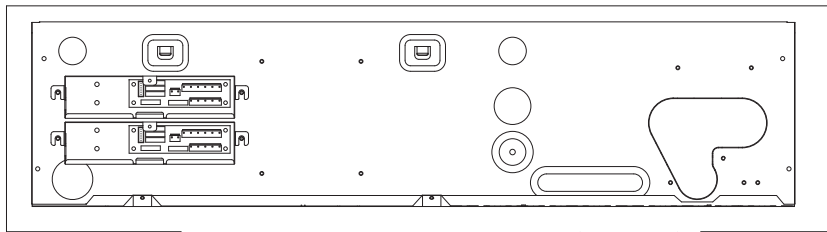




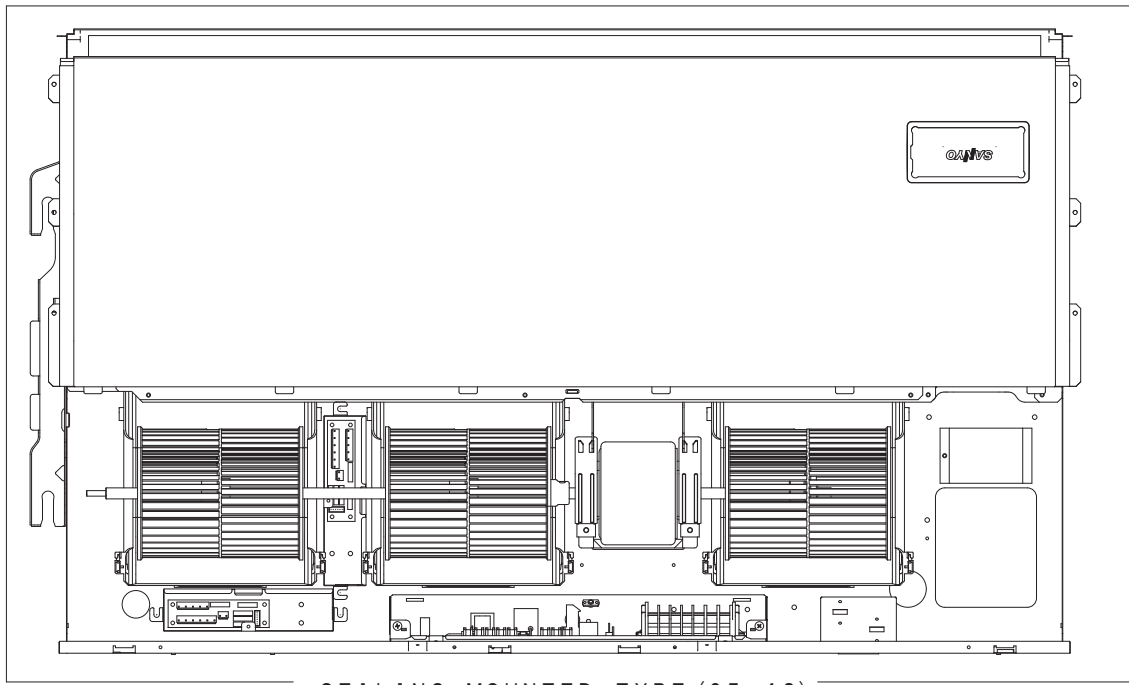
4 WAY AIR DISCHARGE SEMI-CONCEALED TYPE



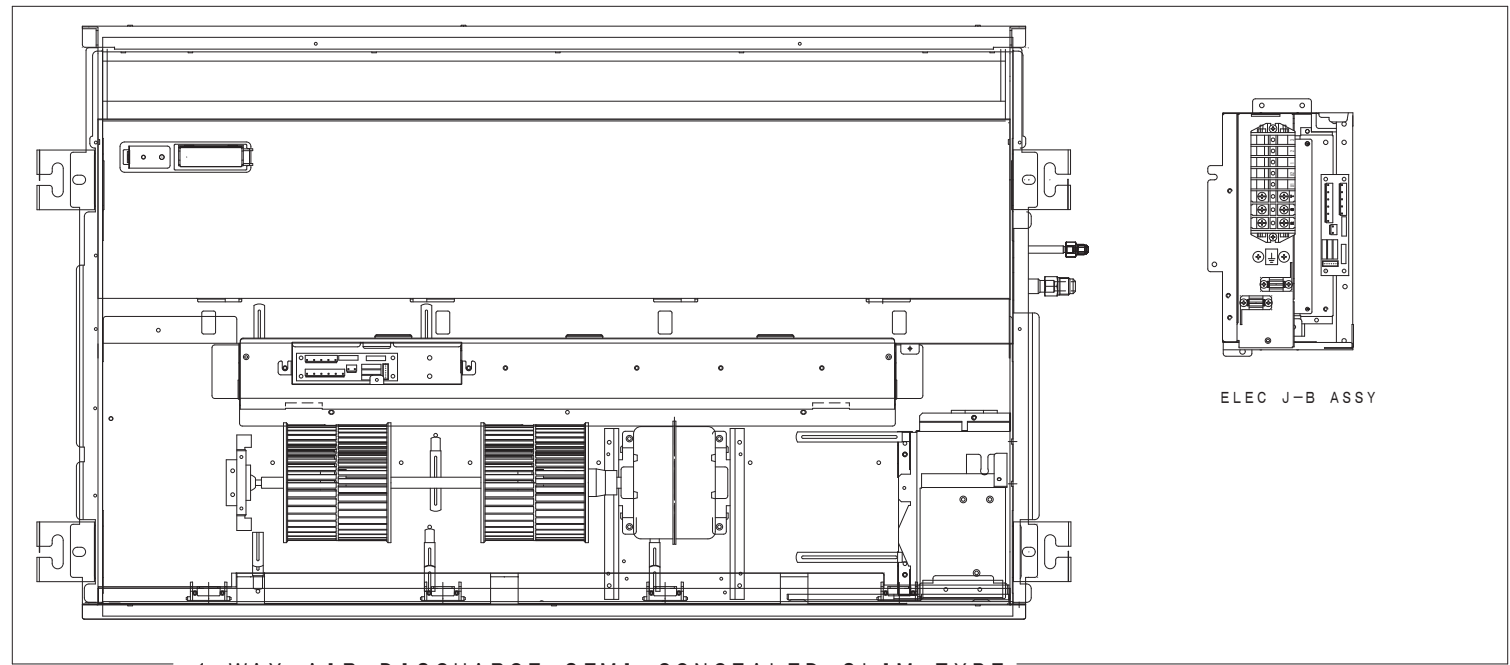
2 WAY AIR DISCHARGE SEMI-CONCEALED TYPE



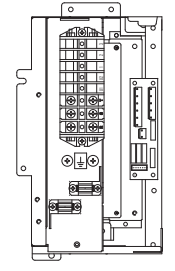
CEILING MOUNTED TYPE (12~18)



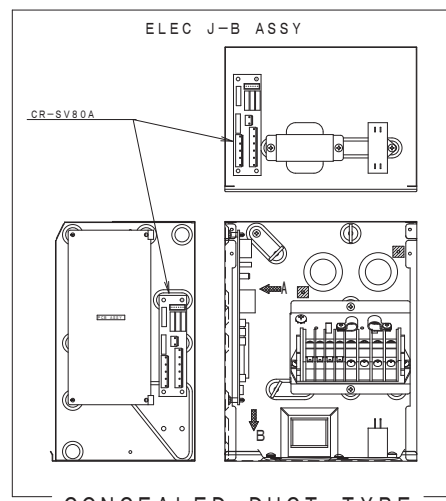
CEILING MOUNTED TYPE (25~48)



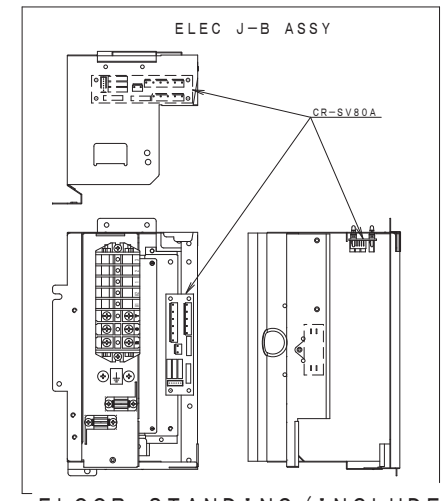
1 WAY AIR DISCHARGE SEMI-CONCEALED SLIM TYPE



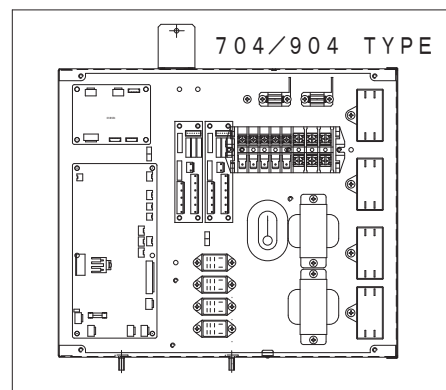
ELEC J-B ASSY



CONCEALED DUCT TYPE



FLOOR STANDING (INCLUDE CONCEALED TYPE)



CONCEALED-DUCT HIGH STATIC TYPE